

Simplex Ethernet Clock

Model ONT6BK-S



STANDARD FEATURES

- Red seven-segment LED display with 4-inch numerals that are visible at over 150 feet.
- Power over Ethernet technology lets you deploy a digital clock system without the cost of installing AC outlets, using your existing Ethernet LAN and the same network components as IP phones.
- Time is automatically set by Simple Network Time Protocol (SNTP) — no master clock or serial connection required.
- A standard Telnet session provides complete control over IP configuration, SNTP server address, time zone configuration, display format (12/24 hour) and clock status reporting.
- UL 1950, ETL Listed, CE Marked



POWER OVER ETHERNET OPERATION:

Power over Ethernet (PoE) is a network standard based on IEEE 802.3af that provides a means of delivering DC power to Ethernet connected devices. This technology eliminates numerous wall transformers, allows centralized UPS backup, and is fully compatible with powered and non-powered 10/100BaseT Ethernet devices. Adding PoE to a network can be accomplished by placing simple multiport midspan solutions in a switch room or endpoint without replacing the switch or hub. Midspan PoE power injectors are available from most network equipment vendors.

DESCRIPTION:

Simplex introduces the revolutionary OnTime™ Digital Clock. OnTime clocks plug into an Ethernet jack on your local area network. No AC plug is required, so installation is inexpensive and it's easy to move clocks around. Power is supplied over standard Cat-5 cabling using the IEEE 802.3af Power over Ethernet standard, the same power source as Voice-over-IP telephones.

The OnTime clock is highly accurate and gets time updates automatically over the network. It requires no specialized software to control one or hundreds of clocks from any PC on the network with a simple Telnet session. OnTime clocks will find an existing Simple Network Time Protocol server on your network, or you can set up a new one.

VISIBILITY CHART:

Easily viewable at over 150 feet (50 meters)

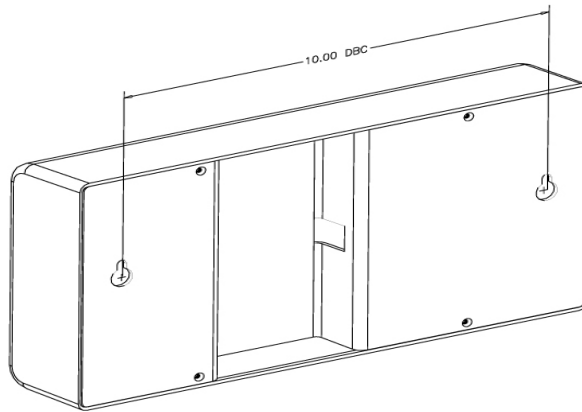


Specifications

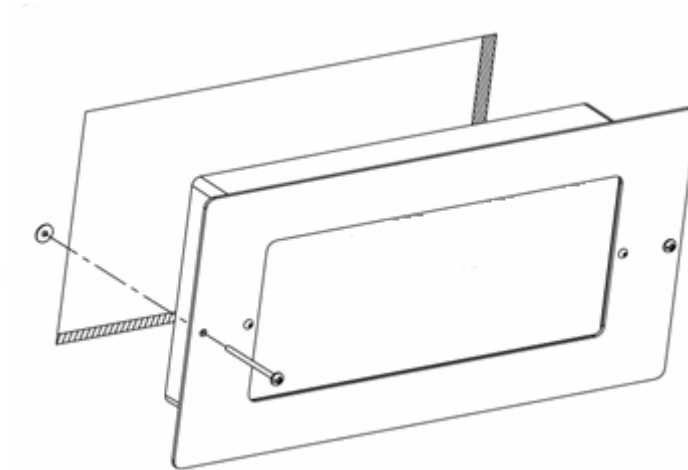
Display	6-Digit, Red 7-Segment
Viewing Distance	150+ feet (50+ meters)
Cabinet Dimensions	17.5"L x 6"H x 2.2"D (44.5 cm x 15 cm x 5.6 cm)
Weight	Painted Cabinet: 2.5 lbs (1.1 kg)
Accuracy	+/- approximately 200 milliseconds
Operating Temperature	32° to 104° F (0° to 40° C)
Operating Humidity	95% maximum, non-condensing
Cabinet Finishes	Black
Mounting Options	Surface, Pendant, Cantilever, Flush Inset

The **Simplex Ethernet Clock** is available in a variety of mounting configurations. Please consult the appropriate procedure for your installation requirements.

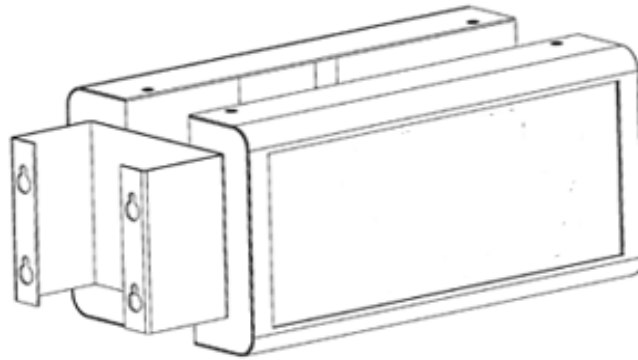
Surface Mount – Keyhole



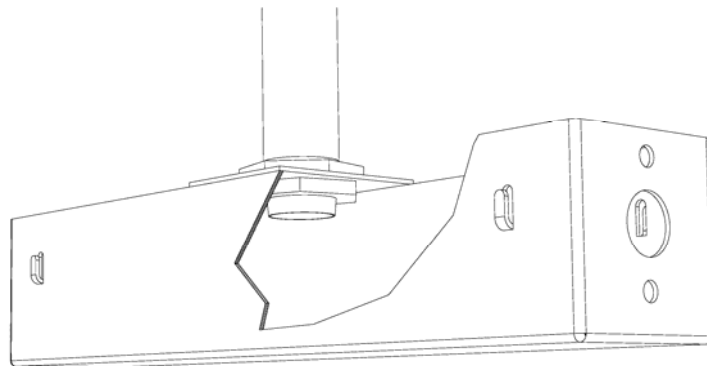
Flush Mount



Cantilever Mounting – Single or Double



Pendant Mounting – Single or Double



TIMETEK SYSTEMS □
1300 669 630 □
sales@timetek.com.au

Simplex, the Simplex logo, and Celestra are trademarks of Simplex Time Recorder Co.
Westminster, Massachusetts 01441-0001 USA www.simplexnet.com
All specifications and other information shown were current as of printing and are subject to change without notice.