

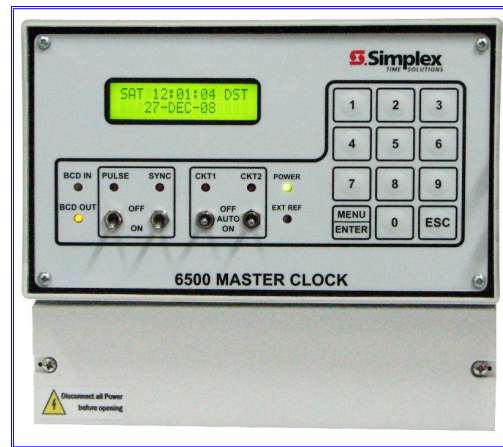
Master Clock Systems

Series 6500 Master Clock

Model 6500-2320

FEATURES:

- Microprocessor Based
- GPS Time Reference (optional)
- SNTP Client Interface Reference (Optional)
- Serial BCD Time Reference
- Mains Synchronised Time Base
- Non-volatile Program Memory
- Impulse Clock Correction
- Synchronous-Wired Clock Correction
- BCD Digital Time Code Correction
- Two Programmable Control Circuits
- Seven Day Programming
- Holiday Schedule
- Automatic Daylight Savings Correction
- Two Line LCD Alpha-Numeric Display
- Control up to 50 Synchronous Wired
- Clocks, 25 Minute Impulse Clocks and 100 Digital Clocks.



6500-2320 Master Clock

OPTIONS:

- 6500-3000 GPS Time Reference Module
- 6500-3500 SNTP Client Interface

DESCRIPTION:

The 6500-2320 Master Clock is designed to be compatible with the full range of Simplex and other Master Clock Systems, providing Impulse, Synchronous-Wired and BCD digital time code outputs. The 6500 derives its accuracy either from the 50Hz mains frequency, another Simplex 6500 Master Clock via serial BCD, a 6500 GPS Module [6500-3000] which provides a time and date reference to within 10ms (or better) of UTC or the SNTP Client [6500-3500]. A programming facility is provided for the control of local Electrical loads such as Bells/Signals, Lighting, Air-Conditioning, etc, on a time of day basis. Timekeeping is maintained for a minimum of 20 hours in the event of power failures, and upon restoration of mains power, Slave Clocks are restored to correct time and the status of all Control Circuits are updated to the correct state. Programming and override information is entered via the keyboard aided by alpha-numeric prompts on the illuminated LCD Display. Controls may be programmed for ON/OFF function or pulsed from 1-60 seconds.



SPECIFICATIONS

Power Requirements	: 240VAC ~ 50Hz, 250mA
Accuracy	: Mains...dependant on power line frequency : GPS.....within 10ms of UTC (GMT) : BCD.....within 20ms
Relay Contacts	: Synchronous-Wired 240VAC, fused at 3 Amp : Control Relays 240VAC, fused at 3 Amp
Impulse Output	: Solid State 24VDC, current limited at 1A
BCD Data Output	: +/- 15VDC (balanced) current limited at 300mA
Environmental	: 0°C - 40°C Relative Humidity (non-condensing) 95%
Finish	: Grey Wall-mounted case – clear acrylic front cover
Dimensions	: 210 mm wide, 180 mm high, 80 mm deep

STANDARDS

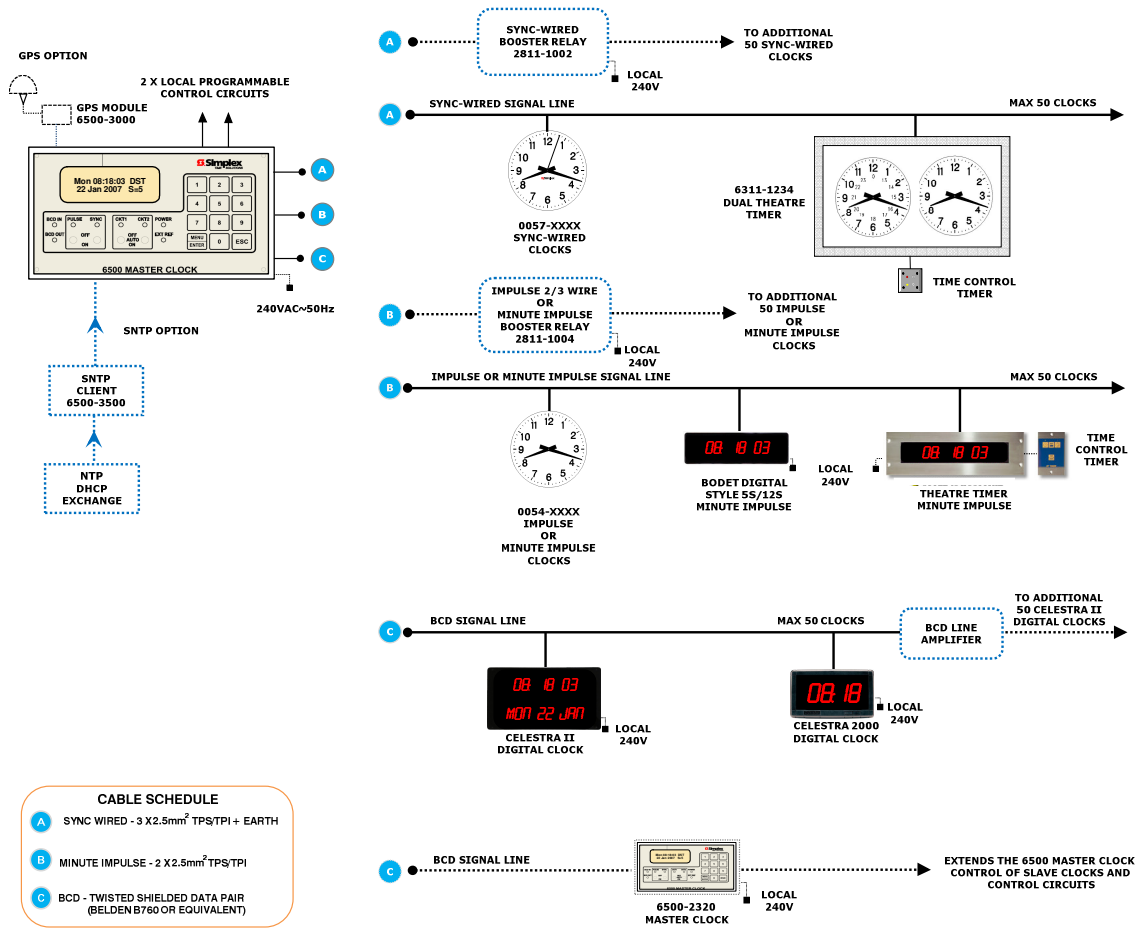
- The 6500-2320 Master Clock has been developed and produced in accordance with the Australian EMC requirements of **AS/NZS CISPR22** and Safety Standards.
- All specifications and other information shown were current as of publication and are subject to change without notice.
- Current Firmware Revision: **r1.9 08AUG-08**

WARNING

- This Device must be installed by service trained personnel only.
- This Device must be connected to a GPO using the power lead provided
- **This Device must not be hard wired.**
- A readily accessible disconnect device shall be incorporated in the building installation wiring.
- Fuse or Circuit Breaker should be provided for the incoming power.

6500 SERIES MASTER CLOCK SYSTEMS

6500-2320 WIRING DIAGRAM



Contact Us

Timetek Systems
Phone 1300 669 630
sales@timetek.com.au